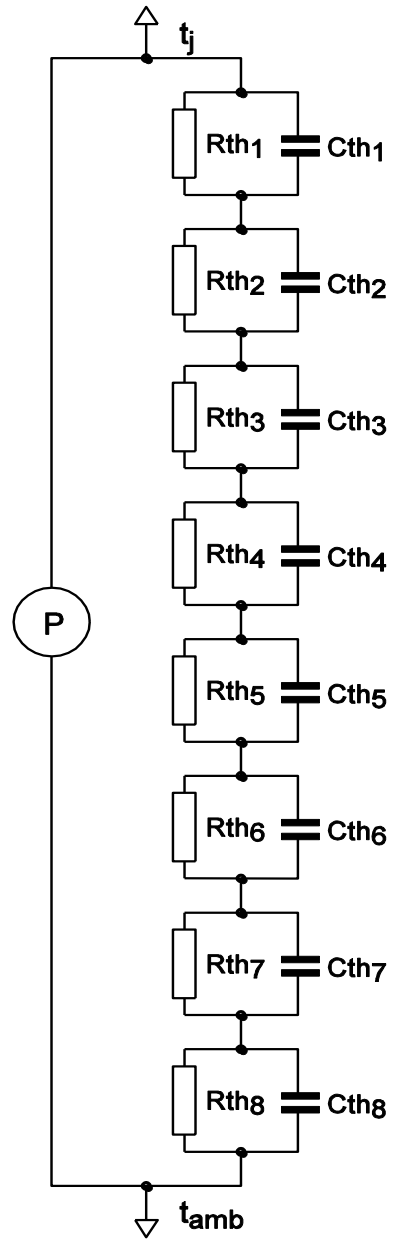


## SPICE thermal model

BUK7M17-80E

Symbol	Parameter	Conditions	Min	Typ	Max	Unit
$R_{th(j-mb)}$	thermal resistance from junction to mounting base		-	-	1.89	K/W

$C_{th1}$	2.419E-05 F
$C_{th2}$	2.167E-04 F
$C_{th3}$	3.323E-04 F
$C_{th4}$	2.213E-03 F
$C_{th5}$	3.420E-03 F
$C_{th6}$	6.196E-03 F
$C_{th7}$	2.541E-02 F
$C_{th8}$	4.000E+01 F
$R_{th1}$	2.335E-03 $\Omega$
$R_{th2}$	4.887E-03 $\Omega$
$R_{th3}$	2.084E-02 $\Omega$
$R_{th4}$	4.805E-02 $\Omega$
$R_{th5}$	3.344E-01 $\Omega$
$R_{th6}$	1.432E+00 $\Omega$
$R_{th7}$	3.993E-02 $\Omega$
$R_{th8}$	7.333E-03 $\Omega$



Part: BUK7M17-80E  
 Date: 9/5/2016  
 Model Rth 1.89 K/W